



California Faucets®

Decorative Grab Bar

DOMED END WITH CONCAVE BASE

Features

- All brass construction
- 1-1/4" diameter bar
- Concealed mounting
- Mounting hardware included

- 9412D-48
- 9418D-48
- 9424D-48
- 9430D-48
- 9436D-48
- 9442D-48
- 9448D-48

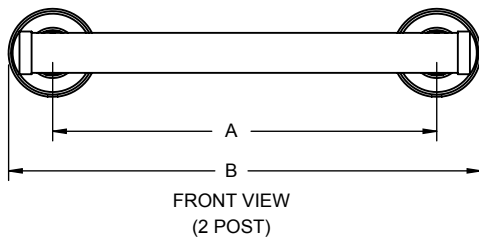


Codes/Standards Applicable

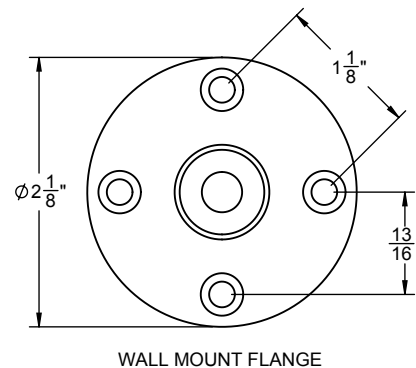
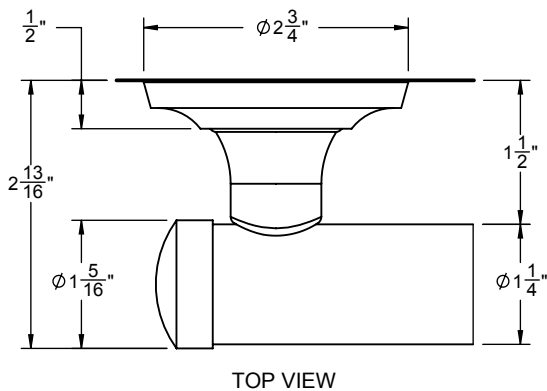
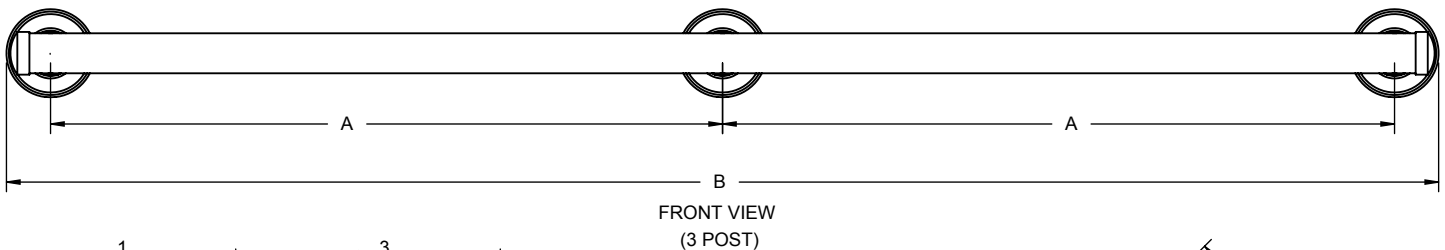
Product meets or exceeds the following:

- ADA compliant

9418D-48 SHOWN



	DECORATIVE GRAB BAR	DIM. A	DIM. B
2 POST	9412D-48	12"	14 $\frac{13}{16}$ "
	9418D-48	18"	20 $\frac{13}{16}$ "
	9424D-48	24"	26 $\frac{13}{16}$ "
	9430D-48	30"	32 $\frac{13}{16}$ "
	9436D-48	36"	38 $\frac{13}{16}$ "
3 POST	9442D-48	21"	44 $\frac{13}{16}$ "
	9448D-48	24"	50 $\frac{13}{16}$ "



- (8X) - 2 POST GRAB BAR
#8 X 1-3/4" PHILLIPS HEAD SCREW
- (12X) - 3 POST GRAB BAR
#8 X 1-3/4" PHILLIPS HEAD SCREW

SPECIFICATIONS SUBJECT TO CHANGE WITHOUT NOTICE

ALL DIMENSIONS SHOWN TO NEAREST 1/16"